

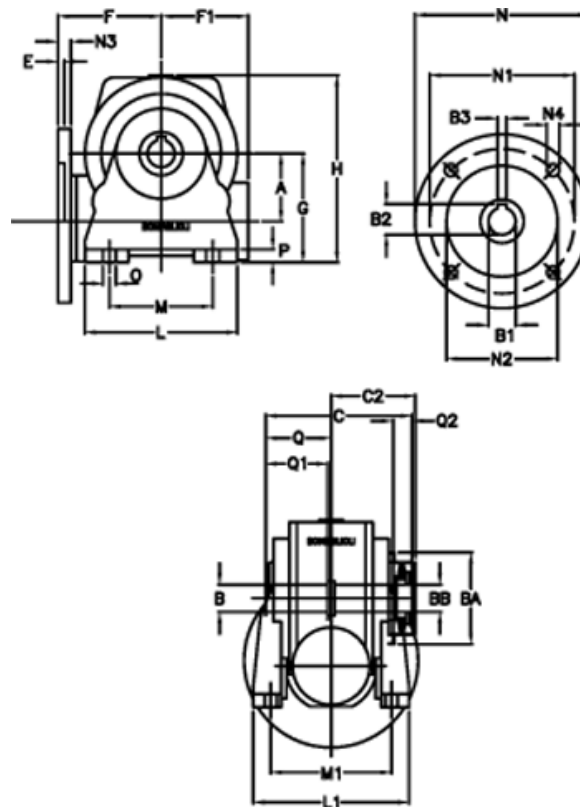
Data Sheet



Article number: 390204403512736

Description: Worm Gear with Torque Limiter
VF 44-L2-N-35-P71B5

Measures



| | | | |
|------------|------------------------------|-----------|----------|
| a = 44.60 | C2 = 48 | L1 = 98 | O = 8.5 |
| B = 18 | Description = VF 44N-xx-71B5 | m = 52 | P = 10 |
| B1 E7 = 14 | E = 2.0 | M1 = 81.0 | Q = 32.0 |
| B2 = 16.3 | F = 65 | N = 160 | Q1 = 32 |
| B3 H9 = 5 | F1 = 54 | N1 = 130 | Q2 = 12 |
| BA = 40 | g = 72 | N2 = 110 | |
| BB H7 = 11 | H = 124.5 | N3 = 10.5 | |
| C = 79 | L = 90 | N4 = 9,5 | |